

# Leica ScanStation C10/C5 Equipment List



- when it has to be **right**

**Leica**  
Geosystems

# Table of Contents

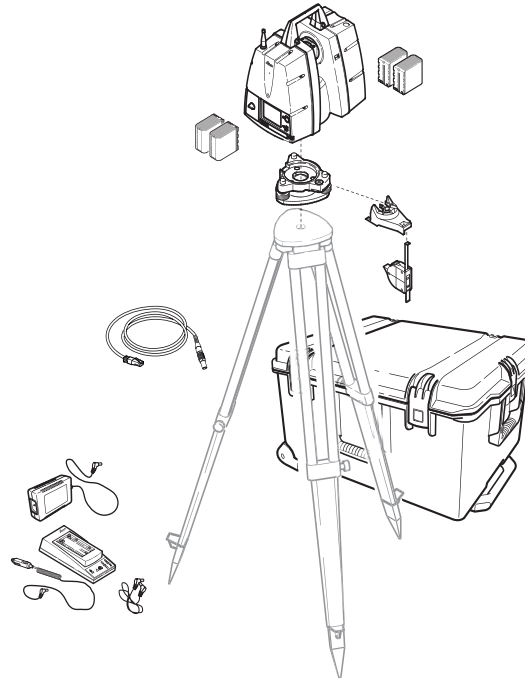
---

<b>ScanStation C10/C5</b>	<b>3</b>
<b>1 Scanner Set ScanStation C10</b>	<b>3</b>
<b>2 Scanner Set ScanStation C5</b>	<b>4</b>
<b>Accessories for ScanStation C10/C5</b>	<b>5</b>
<b>3 Accessory Set</b>	<b>5</b>
<b>4 Power Supply</b>	<b>5</b>
4.1 Internal Power Supply	5
4.2 External Power Supply	5
4.3 AC Power Supply	5
<b>5 Data Transfer</b>	<b>6</b>
<b>6 Instrument Height Meter</b>	<b>6</b>
<b>7 Tribrachs</b>	<b>6</b>
<b>8 Tripods</b>	<b>6</b>
<b>9 Targets</b>	<b>6</b>
9.1 Targets	6
9.2 Target Accessories	7
9.3 Target Pole	7
9.4 Magnetic Mount for Targets	7
9.5 Reflector Carriers	7
9.6 Adapter	7
<b>10 Reflectors</b>	<b>7</b>
<b>11 GNSS (Global Navigation Satellite System)</b>	<b>8</b>
11.1 GNSS SmartAntenna	8
11.2 SmartAntenna Adapter	8
11.3 Controller for GNSS SmartAntenna	8
<b>12 Cleaning Kit</b>	<b>8</b>
<b>13 Additional Containers</b>	<b>8</b>
<b>Suggested Equipment Setups</b>	<b>9</b>
<b>14 Configuration stand alone/internal Battery</b>	<b>9</b>
<b>15 Configuration scan laptop/external Battery</b>	<b>9</b>
<b>16 Configuration stand alone/internal Battery with Reflector on top</b>	<b>10</b>
<b>17 Configuration stand alone/internal Battery with GPS Antenna on top</b>	<b>11</b>
<b>Software and Care Packages</b>	<b>12</b>
<b>18 Software</b>	<b>12</b>
<b>19 Customer Care Packages (CCP)</b>	<b>12</b>

# ScanStation C10/C5

## 1 Scanner Set ScanStation C10

---



---

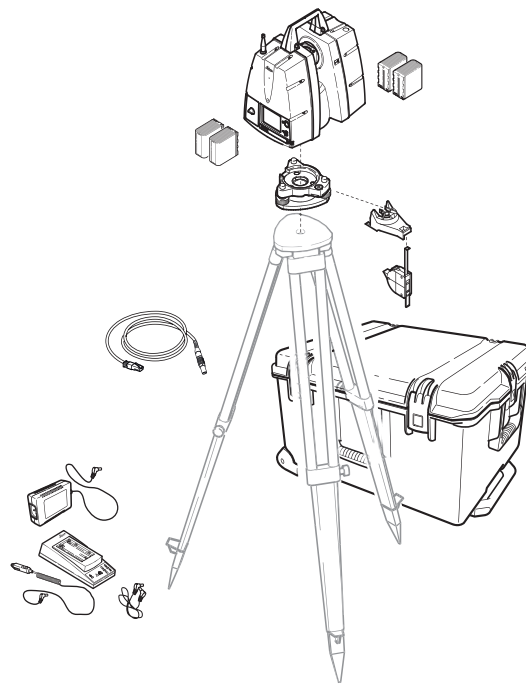
6003155 C10

Leica ScanStation C10 - 3D laser scanning system consisting of:

- 1x HDSC10, Leica ScanStation C10 scanhead (767 742)
  - 1x GVP645, ScanStation C10/C5 transport container (769 625)
  - 1x GDF121, Tribrach, pale green, no plummet (667 304)
  - 4x GEB241, Lithium-Ion battery (754 834)
  - 1x GKL212, Basic charger (772 785)
  - 1x AC/DC adapter for basic charger (773 058)
  - 1x Daisy chain cable for basic charger (773 059)
  - 1x Car-Adapter cable for basic charger (738 242)
  - 1x GEV228, ScanStation C10/C5 data cable (766 567)
  - 1x GHM008, Scanner height meter (772 829)
  - 1x GHT196, Distance holder for height meter (722 045)
  - 1x HDS Window cleaning set (670 268)
  - 1x CD-ROM Cyclone (755 609)
  - 1x ScanStation C10/C5 User manual (774 311)
  - 1x ScanStation C10/C5 System Field Manual (781 284)
  - 1x ScanStation C10/C5 System CD-ROM (781 384)
  - 1x Cyclone SCAN license for Scan-Laptop (760 954)
  - 1x CCP Basic for ScanStation C10 (1year) (6003159)
-

## 2 Scanner Set ScanStation C5

---



---

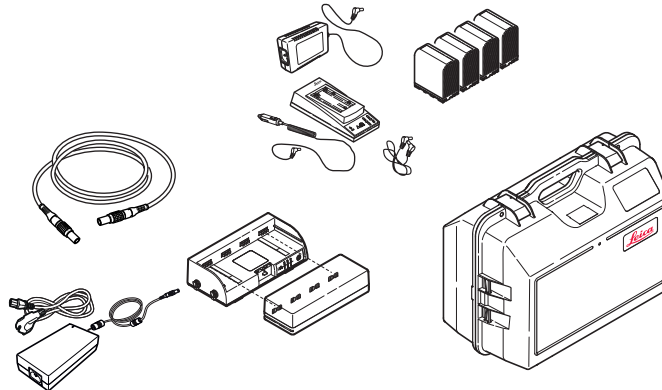
6005697 C5

Leica ScanStation C5 - 3D laser scanning system consisting of:

- 1x HDSC5, Leica ScanStation C5 scanhead (788 980)
  - 1x GVP645, ScanStation C10/C5 transport container (769 625)
  - 1x GDF121, Tribrach, pale green, no plummet (667 304)
  - 4x GEB241, Lithium-Ion battery (754 834)
  - 1x GKL212, Basic charger (772 785)
  - 1x AC/DC adapter for basic charger (773 058)
  - 1x Daisy chain cable for basic charger (773 059)
  - 1x Car-Adapter cable for basic charger (738 242)
  - 1x GEV228, ScanStation C10/C5 data cable (766 567)
  - 1x GHM008, Scanner height meter (772 829)
  - 1x GHT196, Distance holder for height meter (722 045)
  - 1x HDS Window cleaning set (670 268)
  - 1x CD-ROM Cyclone (755 609)
  - 1x ScanStation C10/C5 User manual (774 311)
  - 1x ScanStation C10/C5 System Field Manual (781 284)
  - 1x ScanStation C10/C5 System CD-ROM (781 384)
  - 1x Cyclone SCAN license for Scan-Laptop (760 954)
  - 1x CCP Basic for ScanStation C5 (1year) (6003159)
-

# Accessories for ScanStation C10/C5

## 3 Accessory Set



6003156	Leica ScanStation C10/C5 accessory set consisting of:	
	•	1x GVP652, ScanStation C10 accessory container (769 626)
	•	1x GEB271, External universal battery (766 783)
	•	1x GKL271, Charging station for GEB271 (766 784)
	•	1x GEV225, AC power supply for GKL271 (767 652)
	•	1x GEV97, 1.8m power cable (560 130)
	•	4x GEB241, Lithium-Ion battery (754 834)
	•	1x GKL212, Basic charger (772 785)
	•	1x Car-Adapter cable for basic charger (738 242)
	•	1x Daisy chain cable for basic charger (773 059)
	•	1x AC/DC adapter for basic charger (773 058)

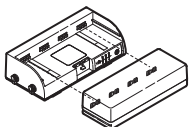
## 4 Power Supply

### 4.1 Internal Power Supply



754 834	<b>GEB241</b>	Lithium-Ion battery, 14.8V/4.8Ah, rechargeable.
772 785	<b>GKL212</b>	Charger for Li-Ion batteries, with AC power cable.
773 058		AC/DC adapter for basic charger
773 059		Daisy chain cable for basic charger
738 242		Car-Adapter cable for basic charger.
733 271	<b>GKL221</b>	Charger, to be used with up to two charging adapters GDI221 or GDI222, charger cable and net adapter included.
733 323	<b>GDI221</b>	Adapter for GKL221 for charging 2 Li-Ion batteries GEB241.

### 4.2 External Power Supply



766 783	<b>GEB271</b>	Lithium-Ion, 14.8V, 16.8Ah. Can only be used together with the GKL271 charging station (766 784)
766 784	<b>GKL271</b>	Charging station for the GEB271 external universal battery (766 783), 14.8V/24/36V output power.
767 652	<b>GEV225</b>	AC power supply for the GKL271 charging station (766 784). For indoor use only!
560 130	<b>GEV97</b>	1.8m power cable. Connects external battery and scanner.

### 4.3 AC Power Supply



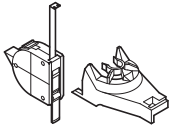
767 744	<b>GEV230</b>	AC power supply for the ScanStation C10/C5 scanner. For indoor use only.
---------	---------------	--

## 5 Data Transfer



766 567	<b>GEV228</b>	ScanStation C10/C5 data cable, 2.5m, standard ethernet jack to Lemo (8pin). Connects ScanStation C10/C5 with computer.
---------	---------------	--

## 6 Instrument Height Meter



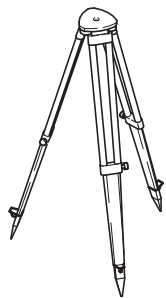
772 829	<b>GHM008</b>	Scanner height meter
722 045	<b>GHT196</b>	Distance holder for height meter

## 7 Tribrachs



667 304	<b>GDF121</b>	Tribrach, without optical plummet, pale green.
667 307	<b>GDF122</b>	Tribrach, with optical plummet, pale green.

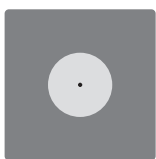
## 8 Tripods



670 238		Fibreglass tripod with quick clamp.
332 200	<b>GST4</b>	Tripod-star, for setting up tripods on hard and slippery surfaces
753 314	<b>GST73</b>	Rolling base with lockable wheels, suitable for all tripods. Allows the tripod to be moved without removing the instrument.

## 9 Targets

### 9.1 Targets

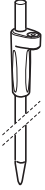


6001581		Target Package C, consisting of: <ul style="list-style-type: none"> <li>• 20 targets - 3" x 3" square planar, adhesive backed (670 211)</li> <li>• 20 targets - 3" x 3" square planar, magnetic backed (670 212)</li> <li>• 2 targets - 3" x 3" square planar, tilt and turn, 5/8" threaded (670 235)</li> <li>• 2 targets - 6" circular planar, tilt and turn, 5/8" threaded (670 220)</li> <li>• 1 target bag (670 225)</li> <li>• 1 twin-target pole (670 227)</li> <li>• 1 target tripod with target tripod bag (670 223, 670 224)</li> <li>• 3 flat magnetic mounts (670 229)</li> <li>• 1 V-block magnetic mount. (670 228)</li> </ul>
670 233		Twin Target system for establishing the verticality of scans, consisting of: <ul style="list-style-type: none"> <li>• Two 3" x 3" targets, 5/8" threaded,</li> <li>• System pole, with bag</li> </ul> Target tripod not included.
670 211		Target - 3" x 3" square planar, single, adhesive-backed (10 pack).
670 212		Target - 3" x 3" square planar, single, magnetic (10 pack).
670 216		Target - 6" circular planar, single, adhesive-backed (10 pack).
670 217		Target - 6" circular planar, single, magnetic (10 pack).
670 235		Target - 3" x 3" square planar, tilt and turn, 5/8" threaded.
670 220		Target - 6" circular planar, tilt and turn, 5/8" threaded. HDS target.
670 252		Tilt and turn, 6" circular planar, 5/8" female threaded. HDS Black and White target.
6000177		2 complete fixed height "Twin-Target" pole systems, each system consists of: <ul style="list-style-type: none"> <li>• Two 3" x 3" targets, 5/8" threaded, with bag</li> <li>• System pole, with bag (670 233)</li> <li>• Thumb release tripod (670 233)</li> </ul>

## 9.2 Target Accessories

670 223	Target tripod.
670 224	Target tripod bag.
670 225	Target bag for 3" x 3" planar, 6" planar or 6" half-sphere tilt and turn targets.

## 9.3 Target Pole



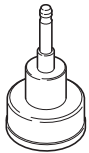
670 227	Fixed height target pole.
---------	---------------------------

## 9.4 Magnetic Mount for Targets



670 228	V-block magnetic mount for targets with 5/8" x 11 threaded post, for mounting on steel pipes.
670 229	Flat magnetic mount for targets with 5/8" x 11 threaded post, for mounting on flat steel surfaces.

## 9.5 Reflector Carriers



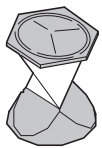
667 216	<b>GRT146</b>	Carrier with 5/8" screw
667 313	<b>GRT144</b>	Carrier with stub, pale green

## 9.6 Adapter



667 217	<b>GAD31</b>	Screw-to-Stub adapter, for mounting of HDS targets to poles and carriers with stub.
---------	--------------	---

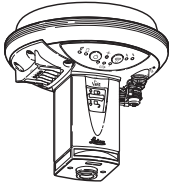
## 10 Reflectors



639 985	<b>GRZ4</b>	360° reflector
754 384	<b>GRZ122</b>	360° reflector with 5/8" thread.
774 700	<b>GAD111</b>	GAD104-to-Stub adapter. Adapter to mount Leica reflectors on GAD104 Smart-Antenna adapter.
779 082	<b>GAD112</b>	GAD110-to-Stub adapter. Adapter to mount Leica reflectors on GAD110 Smart-Antenna adapter.

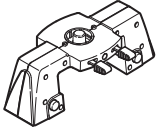
## 11 GNSS (Global Navigation Satellite System)

### 11.1 GNSS SmartAntenna



771 504	<b>GS15</b>	Leica GS15 Professional SmartAntenna
---------	-------------	--------------------------------------

### 11.2 SmartAntenna Adapter



767 802	<b>GAD110</b>	SmartAntenna adapter to mount GS15 SmartAntenna.
---------	---------------	--


### 11.3 Controller for GNSS SmartAntenna



767 866	<b>CS10 Radio Field Controller</b>	<b>CS10 Radio Field Controller.</b> Ruggedized WinCE field controller with full VGA touch display, 1GB NAND flash memory, 512MB SDRAM, CF/SD card slot and 2MP camera. Includes Bluetooth, internal WLAN module, internal TPS radio module, numeric keypad, stylus. Available with either Lemo connector (CBC01) or DSUB connector module (CBC02).
---------	------------------------------------	---



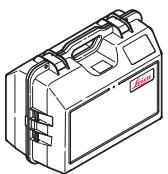
767 871	<b>CS15 Radio Field Controller</b>	<b>CS15 Radio Field Controller.</b> Ruggedized WinCE field controller with full VGA touch display, 1GB NAND flash memory, 512MB SDRAM, CF/SD card slot and 2MP camera. Includes Bluetooth, internal WLAN module, internal TPS radio module, QWERTY keypad, stylus. Available with either Lemo connector (CBC01) or DSUB connector module (CBC02).
---------	------------------------------------	--

 For details about additional required products and accessories to use the GNSS option or other antenna and controller configurations please refer to the Leica Viva GNSS or Leica Viva TPS TS11/TS12/TS15 equipment lists.

## 12 Cleaning Kit

670 268	Window cleaning kit for HDS Laser Scanners. Comes in a black Leica bag. Contains instructions, gloves and 50 packets of window cleaning wipes.
---------	--

## 13 Additional Containers

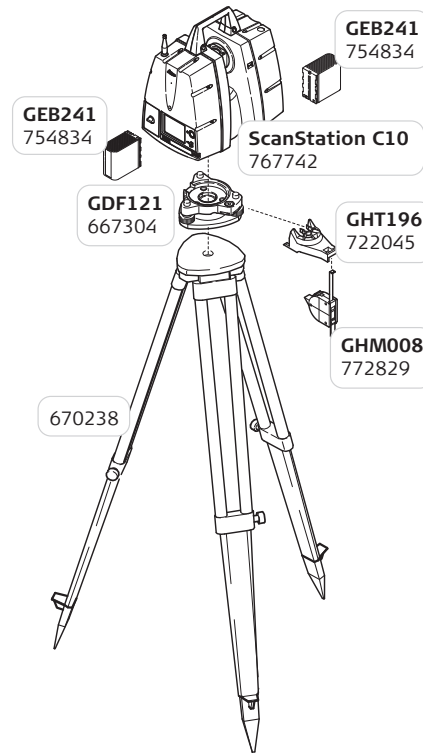


769 625	<b>GVP645</b>	ScanStation C10/C5 transport container
769 626	<b>GVP652</b>	ScanStation C10/C5 accessory container

# Suggested Equipment Setups

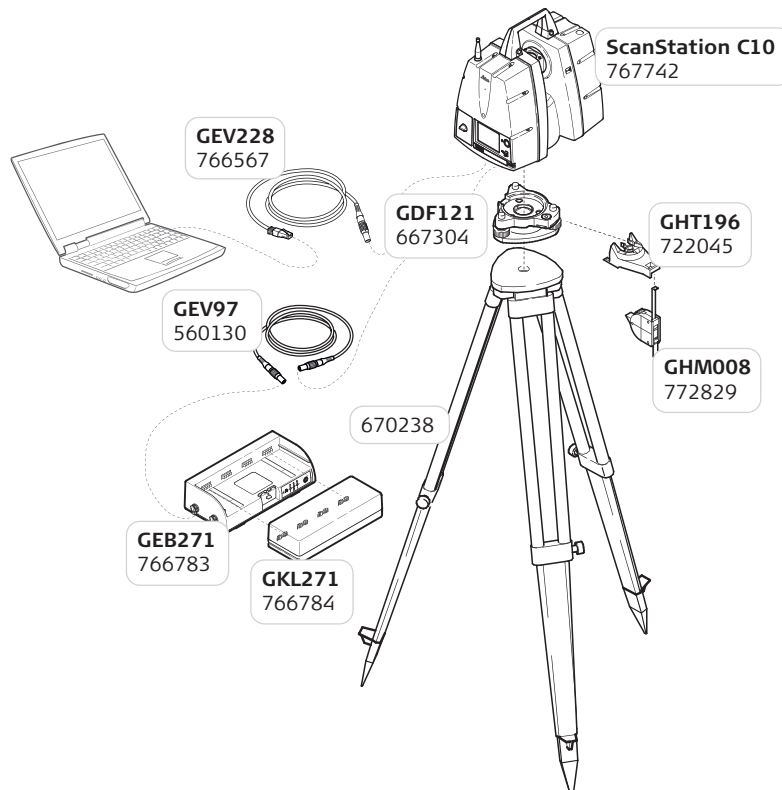
## 14 Configuration stand alone/internal Battery

---



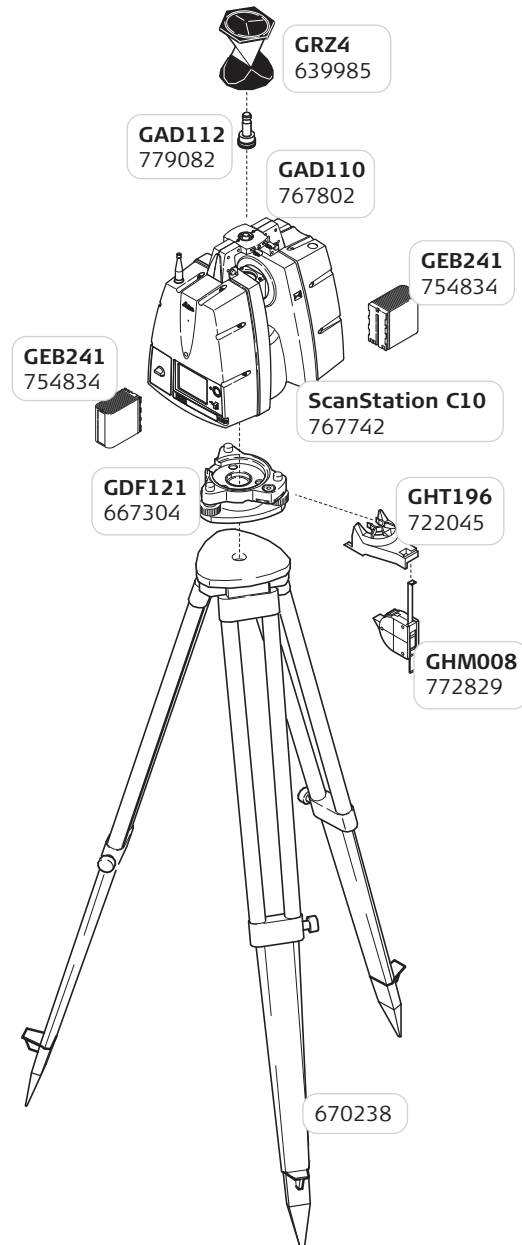
## 15 Configuration scan laptop/external Battery

---



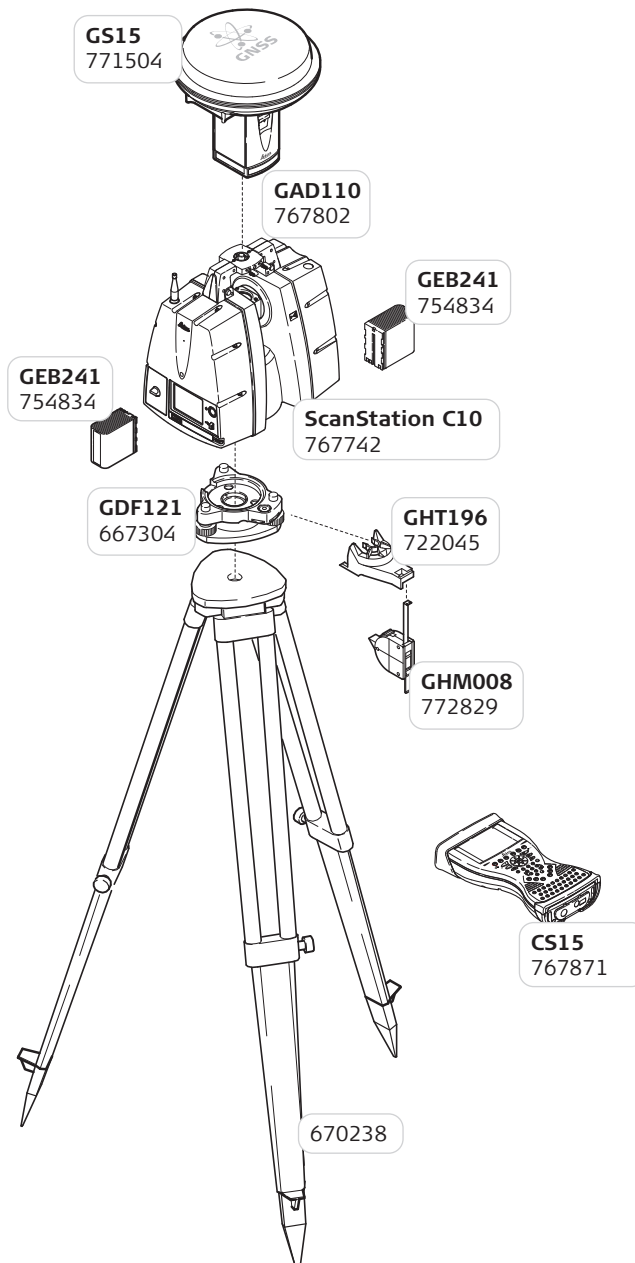
## 16 Configuration stand alone/internal Battery with Reflector on top


---



## 17 Configuration stand alone/internal Battery with GPS Antenna on top

---



 For details about additional required products and accessories to use the GNSS option or other antenna and controller configurations please refer to the Leica Viva GNSS or Leica Viva TPS TS11/TS12/TS15 equipment lists.

# Software and Care Packages

## 18 Software

755 609	CD-ROM Cyclone
760 954	Cyclone SCAN license for Scan-Laptop

## 19 Customer Care Packages (CCP)

The ScanStation C10 standard package (6003155) and the ScanStation C5 standard package (6005697) include a 1 year CCP Basic contract. Multi-Year CCP contracts are available for ScanStation C10 and ScanStation C5, but can only be ordered with the initial purchase of an instrument.



6003220	2 year CCP Basic
6003221	3 year CCP Basic



6003222	1st year CCP Blue
6003223	2 year CCP Blue
6003224	3 year CCP Blue



6003226	2 year CCP Bronze
6003227	3 year CCP Bronze



6003291	1st year CCP Silver
6003229	2 year CCP Silver
6003230	3 year CCP Silver



6003232	1st year CCP Gold
6003233	2 year CCP Gold
6003234	3 year CCP Gold

	Customer Support	Firmware/ Software Maintenance	Extended Warranty	Hardware Maintenance incl. Calibration	Loaner Instrument
<b>Basic</b>	✓	✓			
<b>Blue</b>	✓	✓		✓	
<b>Bronze</b>	✓	✓	✓		
<b>Silver</b>	✓	✓	✓	✓	
<b>Gold</b>	✓	✓	✓	✓	✓

For further details about HDS Customer Care Packages refer to document 767 474 (Active Customer Care - Leica Customer Care Packages for HDS Hardware and Software).



Whether you're designing a modification to a complex refinery piping system, surveying a site or documenting a historic building, you need reliable measurements. High-Definition Surveying scanning systems and software by Leica Geosystems provide you with exact data of what's there.

When your as-built information has to be right, rely on Leica Geosystems, the company that professionals trust for their scanning solutions. Leica Geosystems is best known for pioneering scanning technology with trustworthy, total solutions: versatile, accurate laser scanners, industry standard point cloud software, and a full complement of accessories, training and support.

Precision, quality and service from Leica Geosystems.

**When it has to be right.**

Illustrations, descriptions and technical specifications are not binding and may change.  
Printed in Switzerland - Copyright Leica Geosystems AG, Heerbrugg, Switzerland, 2011.  
776257-2.0.0en - VII.11



**Total Quality Management -  
our commitment to total  
customer satisfaction.**

Ask your local Leica Geosystems  
dealer for more information  
about our TQM program.

**Laser plummet:**

Laser class 2 in accordance with  
IEC 60825-1 resp. EN 60825-1

**Scanner:**

Laser class 3R in accordance with  
IEC 60825-1 resp. EN 60825-1



The Bluetooth® word mark and  
logos are owned by Bluetooth  
SIG, Inc. and any use of such  
marks by Leica Geosystems AG is  
under license. Other trademarks  
and trade names are those of  
their respective owners.

**Leica Geosystems AG**  
Heinrich-Wild-Strasse  
CH-9435 Heerbrugg  
Switzerland  
Phone +41 71 727 31 31  
[www.leica-geosystems.com](http://www.leica-geosystems.com)

- when it has to be **right**

**Leica**  
Geosystems